

FOLDABLE HAND TRUCK

WITH PLATFORM OR FORK



Multi-purpose lifting device using various accessories

- Platform
- Fork

that can be used anywhere where traditional bending, transporting and lifting is required.

- Made from aluminum, with a single compact and reliable mast.
- Detachable holder : platform.or fork
- Foldable design for ease of transporting in vans and trucks, and for storing on shelves or benches.

- Cable is hidden inside the mast, preventing injury.
- Solid wheels (250 mm / 10 inch)
- Ready to use in 30 seconds



WITH PLATFORM

Capacity	120 kg
Liting height	1026 mm
Basic height	65 mm
Weight - Mast	20 + 4 kg
Platform	400 x 420 mm
Winch - Lifting capacity	230 kg
Steel wire	Ø 4 mm- 1429 kg
Duty class. DIN 15020	1 Cm / M2

WITH FORC

Capacity	150 kg
Liting height	1057 mm
Basic height	100 mm
Weight - Mast	20 + 5 kg
Forc	370 x 320 - 590 mm
Winch - Lifting capacity	230 kg
Steel wire	Ø 4 mm- 1429 kg
Duty class. DIN 15020	1 Cm / M2

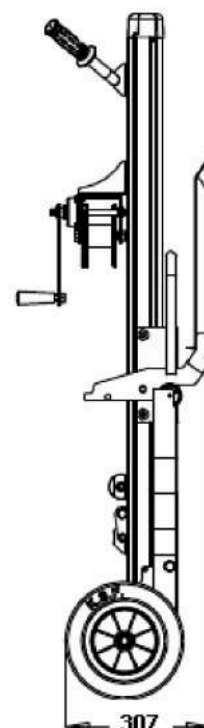
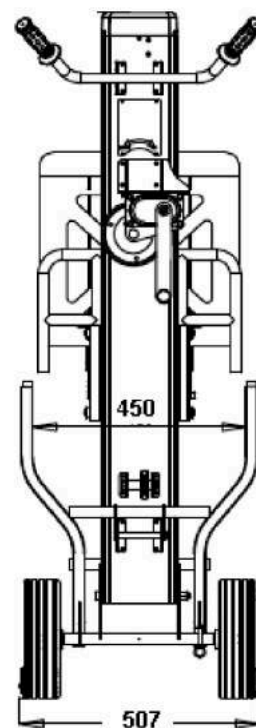
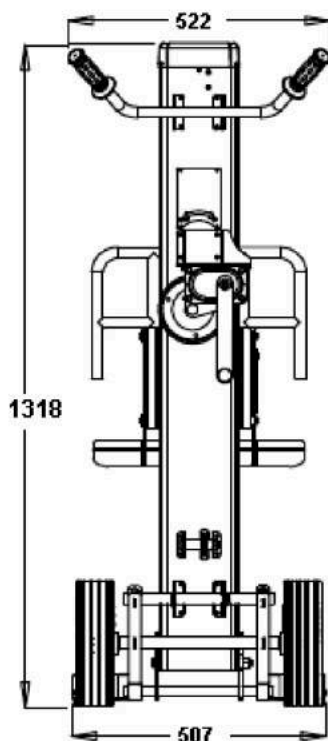
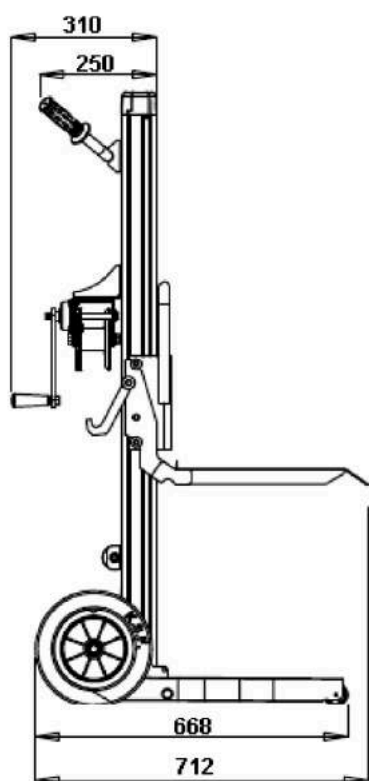
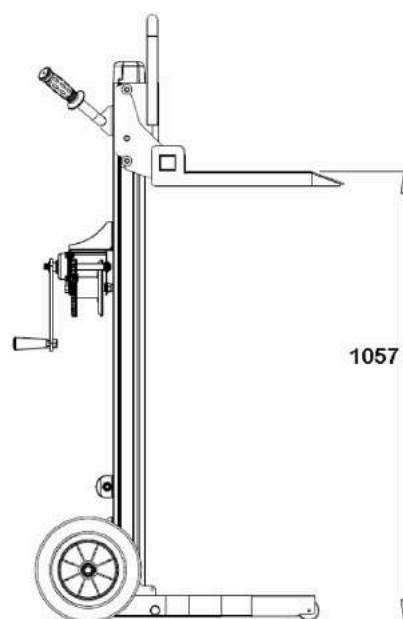
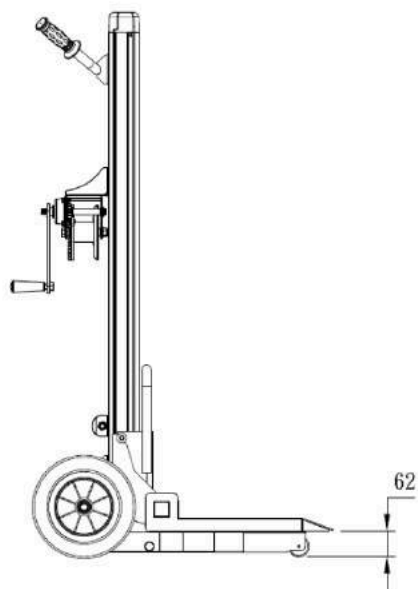
MEER INFO? CONTACTEER ONS VRIJBLIJVEND

T 051 48 02 05 | info@averohandling.be | www.averohandling.be
Posterijlaan 53 - 8740 Pittem

AVERO
HANDLING

FOLDABLE HAND TRUCK

WITH PLATFORM OR FORK



MEER INFO? CONTACTEER ONS VRIJBLIJVEND

T 051 48 02 05 | info@averohandling.be | www.averohandling.be
Posterijlaan 53 - 8740 Pittem

AVERO
HANDLING